

# PRODUCT DATA SHEET

www.internationalgasdetectors.com

**OLIVER IGD**

Control Systems

Transmitters

Sensors

Accessories

## Keyless RFID Control

## PGF-30

Effective Gas Safety Proving and Gas Detection Controller



### RFID Gas Proving, Ventilation Control & Gas Detection, off one panel

Our range of gas proving systems can be used for:

- Commercial Kitchens, Natural/LPG gas supplies
- laboratory Gas Supplies including CO<sub>2</sub>, O<sub>2</sub>, N<sub>2</sub>O etc.
- Low pressure ranges 0-50mBAR
- High Pressure ranges up to 0-1000mBar and 0-10 Bar.

Ensuring gas pressure integrity prior to running. The system features industry first, contactless RFID cards, to start and stop the gas proving cycle

Furthermore the PGF-30 gas proving controller can be used to initiate fans in case of a build up of CO<sub>2</sub>. Or it can ensure fans are running in fume cabinets etc.

### Features at a Glance

- RFID to Initiate the gas proving cycle
- RFID cards to control access to the system
- Flexible Power Supply Options
- Wall or Panel Mounting
- Relay Outputs as Standard
- 4-20mA Output as Standard
- RS485 Modbus as Standard
- Control up to 24 Devices as Gas Detectors or I/O Modules
- LCD Display With Multi Colour Backlight, Green for all okay, Flashes Red on Alarm, Flashes Yellow on Fault etc
- E-Stop Input (System Configurable)
- Dedicated Interlock to Fire Systems (System Configurable)
- Battery Backup Option
- Displays current live gas readings and pressure readings

### Gas Detection System

As well as controlling ventilation and gas proving our systems also utilise addressable gas detection on the same panel, allowing you to have up to 24 detectors on 1 interlinked cable run. enabling you to detect over 400 gases and vapours and control a wide range of third party devices. Saving you time and money on reduced cabling and additional panel purchases.

### Advantages of contactless RFID over keypads and key switches:

- RFID cards limit access to the panel. Meaning only senior staff can initiate the gas proving cycle. This gives you more **accountability and security** over the life safety system.
- It is easier to replace (and more cost effective) RFID card then it is to reset the password or replace a whole new key switch.
- No Password handling/storage required. Easy and simpler to use with RFID than find the correct password/key.



International Gas Detectors  
CH<sub>4</sub> H<sub>2</sub>S CO<sub>2</sub>  
NO<sub>2</sub> SO<sub>2</sub>



Triton House  
Crosby Street  
Stockport  
SK2 6SH  
England

Tel: +44 (0)161 483 1415  
Fax: +44 (0) 161 484 2345  
Email: sales@internationalgasdetectors.com  
Website: www.internationalgasdetectors.com



FS646773  
Ref: PGF30 C

# PRODUCT DATA SHEET

www.internationalgasdetectors.com

**OLIVER IGD**

**Control Systems**

Transmitters

Sensors

Accessories

Over 400+ Hazardous, Flammable & Refrigerant Gases Detected

## Standard Specifications

Power	110/230V AC 50/60Hz 25W Standard 24V DC Option
Construction	ABS
Display	2 Lines x 8 Digit LCD Display Multi-Colour Backlight (Red-Alarm, Yellow-Fault, Blue-Normal)
User	IGD Jog Wheel Option Select
Outputs	3 off SPCO Relays 4A Non-Inductive User Configurable 1 off 4-20mA Linear Output User Configurable
Other I/O	Sounder 80dB @ 100mm (Mutable) RS485 Port Modbus Dedicated E-Stop Input Dedicated Fire System Interlock
Inputs	Up to 24 off Addressable Series Detectors or I/O Modules <i>Note external Booster PSU may be required</i>
Temperature	-5 to 55 Deg C
Humidity	0-95% RH Non-Condensing
Sealing	IP54
Mounting	Wall Mount, Panel Mount Kit Option, Duct Mount Kit Option
Weight	840g

## Pressure Reading

Low Range	0-50 mBar
High range	0-1000 mBar 0-10 Bar

## Popular Gases Detected

**O<sub>2</sub>**

**CO<sub>2</sub>**

**N<sub>2</sub>O**

**C<sub>x</sub>H<sub>x</sub>**

**CO**

**VOC's**

**H<sub>2</sub>S**



International Gas Detectors

CH<sub>4</sub> H<sub>2</sub>S CO<sub>2</sub>  
NO<sub>2</sub> SO<sub>2</sub> NO<sub>2</sub> SO



Triton House  
Crosby Street  
Stockport  
SK2 6SH  
England

Tel: +44 (0)161 483 1415

Fax: +44 (0) 161 484 2345

Email: sales@internationalgasdetectors.com

Website: www.internationalgasdetectors.com



FS646773  
Ref: PGF30 C

# PRODUCT DATA SHEET

www.internationalgasdetectors.com

**OLIVER IGD**

**Control Systems**

Transmitters

Sensors

Accessories

## EC Declaration of Conformity

Issuers name and address:

Oliver IGD Limited of  
Triton House  
Crosby St,  
Stockport,  
United Kingdom



Declares that the product listed as:

**PGF-30**

Gas Proving and Gas Detection Control Panel

Are in conformity with the provisions of the following European Directive(s) when installed, operated, serviced and maintained in accordance with the installation and operating instructions contained in the product documentation.

**2004/108/EC EMC Directive**  
**2014/34/EU Low Voltage Equipment Directive** (note not applicable to 24V DC Powered Versions)

And that the standards and/or technical specifications referenced below have been applied or considered.

En 60079-29-1:2016 *Explosive Atmospheres. Gas Detectors. Performance Requirements of Detectors for Flammable Gases. \*\*conforms to\*\**

EN 61000-6-2:2005 Electromagnetic Compatibility (EMC). Generic Standards. Immunity for Industrial Environments  
EN 61000-6-4:2007/A1:2011 Electromagnetic Compatibility (EMC). Generic Standards. Emission Standard for Industrial Environments.  
EN 61000-3-2: 2014 Electromagnetic Compatibility (EMC). Limits for Harmonic Current Emissions (Equipment Input Current  $\leq 16$  A per phase)  
EN 61000-3-3: 2013

Technical File Reference PGF30-TF9

Product Markings **CE** **PGF-30** *SI-serial number*

Oliver IGD Limited Operate and Independently assessed ATEX/IECEX QAN.

Oliver IGD Limited operate an independently assessed Testing Agency: ISO9001:2008 Quality Management System.

Quality Assurance Certificate Number  
**ExVeritas 16PQAN0014**

Quality Management Certificate Number  
**FS 646773**

TUV - SUD  
Octagon House  
Concorde Way  
PO 15 5RL  
Fareham



Quality Assurance Notification Number:  
**2585**

ExVeritas,  
Units 16-18,  
Abenbury Way,  
Wrexham Industrial Estate,  
Wrexham, UK, LL13 9UZ

BSI Assurance UK LTD,  
Chiswick High Road,  
London  
W4 4AL  
UK

Mehr Sicherheit.  
Mehr Wert.

TUV Certificates and reports can be checked on-line at [https://www.tuev-sued.de/industry\\_and\\_consumer\\_products/certificates](https://www.tuev-sued.de/industry_and_consumer_products/certificates)

Issued on: 20th Feb 2016

At Oliver IGD Limited, Stockport, SK2 6SH, United Kingdom

Signature:

Declaration of Conformity in accordance with EN ISO/IEC 17050-1:2010

Name

Andrew J Collier M.I.O.D

Position:

Managing Director

Date: 20th Feb 2016

Declaration Ref: PGF30-DEC-2



International Gas Detectors

CH<sub>4</sub> H<sub>2</sub>S CO<sub>2</sub>  
NO<sub>2</sub> SO<sub>2</sub> NO<sub>2</sub> CO



Triton House  
Crosby Street  
Stockport  
SK2 6SH  
England

Tel: +44 (0)161 483 1415

Fax: +44 (0) 161 484 2345

Email: sales@internationalgasdetectors.com

Website: www.internationalgasdetectors.com



FS646773  
Ref: PGF30 C

# PRODUCT DATA SHEET

www.internationalgasdetectors.com

**OLIVER IGD**

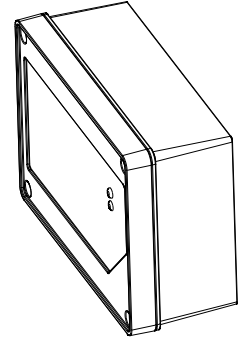
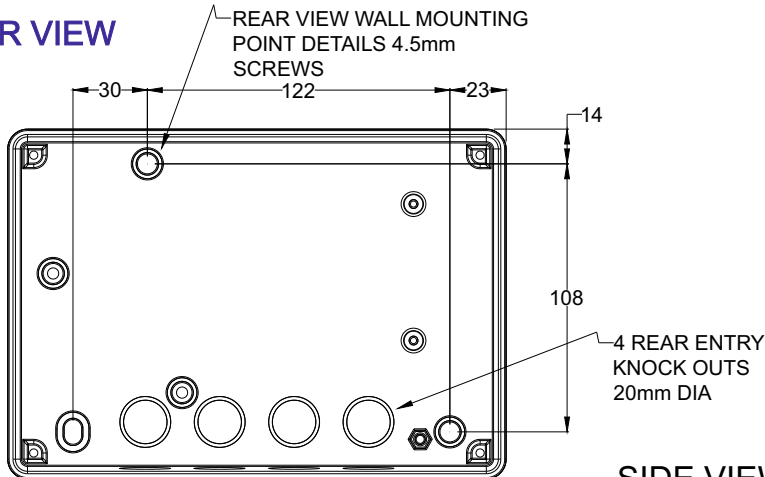
**Control Systems**

Transmitters

Sensors

Accessories

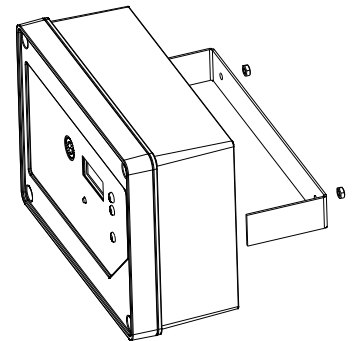
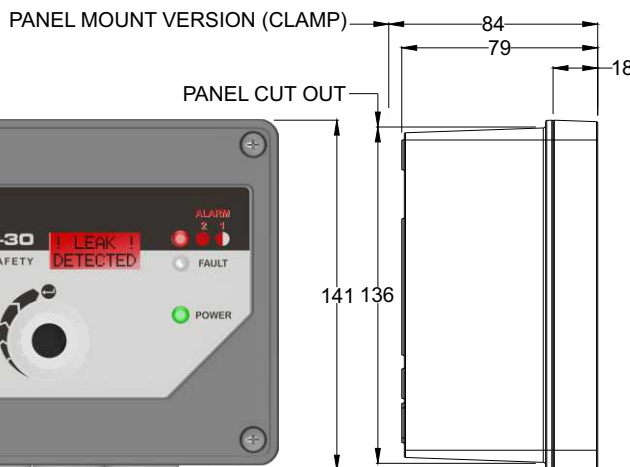
## REAR VIEW



Optional Battery Backup Kit  
PN 5686601

Note this module uses the same style enclosure as the PGF-30 and houses batteries and charge control. It is usually mounted below the PGF-30 and is supplied with all required connectors.

## SIDE VIEW

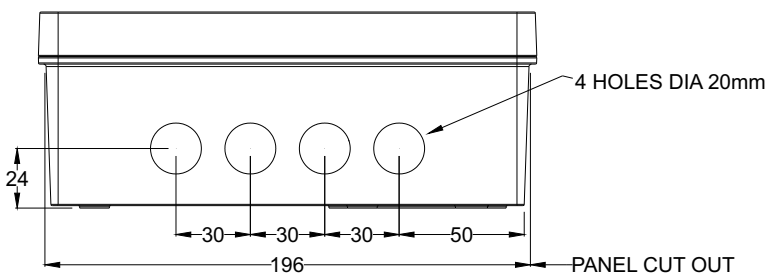


Optional Panel Mounting Kit  
PN 5686401

## FRONT VIEW



## BOTTOM VIEW



## Sensor Options

Gas Pressure  
Air Pressure  
Air Flow  
Flammable Gases  
Toxic Gases  
Temperature  
Humidity  
Motor Current



International Gas Detectors

CH<sub>4</sub> H<sub>2</sub>S CO<sub>2</sub>  
NO<sub>2</sub> SO<sub>2</sub> NO<sub>2</sub> CO



Triton House  
Crosby Street  
Stockport  
SK2 6SH  
England

Tel: +44 (0)161 483 1415

Fax: +44 (0) 161 484 2345

Email: sales@internationalgasdetectors.com

Website: www.internationalgasdetectors.com



FS646773  
Ref: PGF30 C

# PRODUCT DATA SHEET

www.internationalgasdetectors.com

**OLIVER IGD**

**Control Systems**

Transmitters

Sensors

Accessories

**1 Intelligent Systems Enhanced Safety For Operators 1**

IGD Gas Proving Controllers Can be Interlocked to Prevent Gas Supply If Ventilation is not Running or Not Running at a Sufficient Level



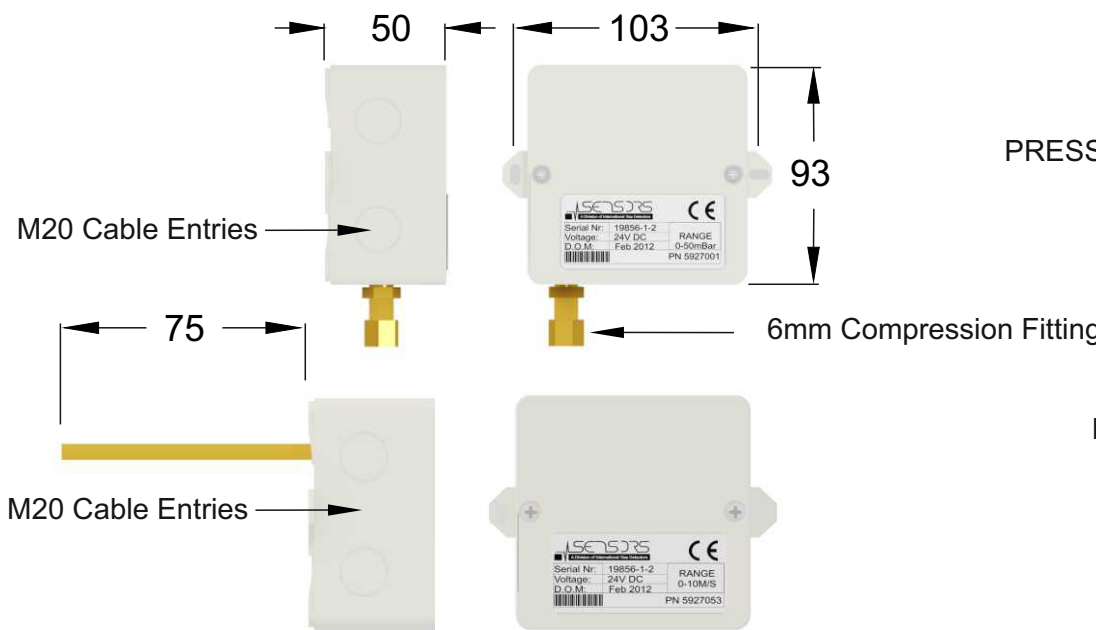
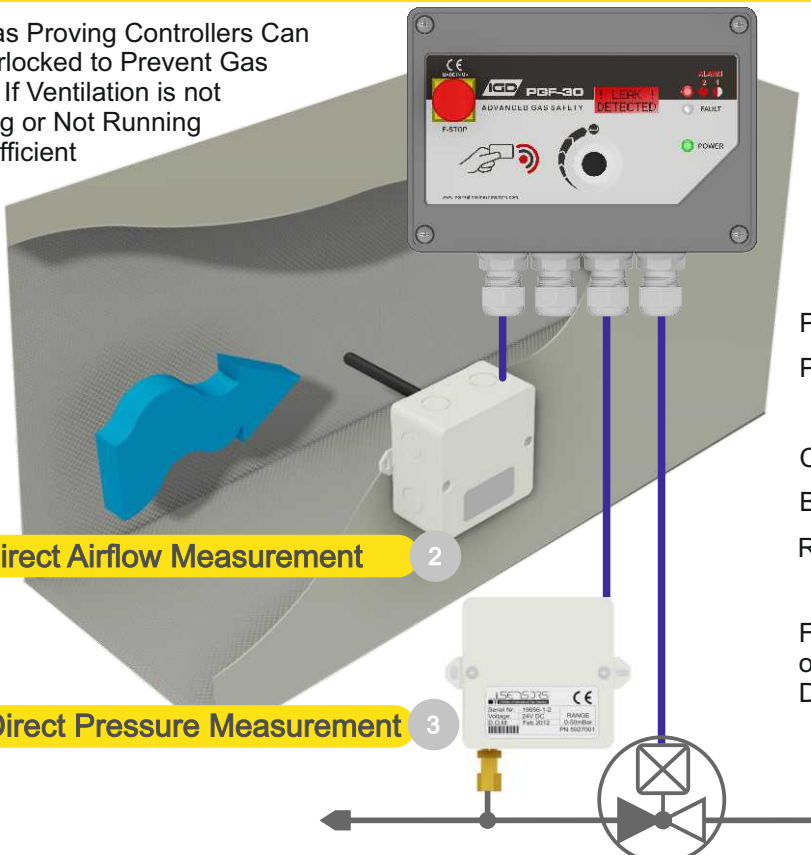
**ORDER CODES**

PGF-30 Controller 110/230V AC	PGF-30-RFID-230
PGF-30 Controller 24V DC	PGF-30-RFID-24
Controller Panel Mount Kit	5686401
Battery Backup Module	5686601
Replacement RFID Cards	TOC-RFID-USER

For Gas Detection and Room Status Indicator options refer to TOC-30 Series Gas Detectors Datasheets.

**2 Direct Airflow Measurement 2**

**3 Direct Pressure Measurement 3**



**PRESSURE TRANSDUCER**  
PN: 5927001  
Range 0-50mBar  
Analogue O/P

**FLOW TRANSDUCER**  
PN: 5927051  
Range 0.5 -10M/S  
Analogue O/P  
Relay O/P  
24V DC



**OLIVER IGD**  
Triton House  
Crosby Street  
Stockport  
SK2 6SH  
England

Tel: +44 (0)161 483 1415  
Fax: +44 (0) 161 484 2345  
Email: sales@internationalgasdetectors.com  
Website: www.internationalgasdetectors.com



FS646773  
Ref: PGF30 C

# PRODUCT DATA SHEET

www.internationalgasdetectors.com

**OLIVER IGD**

**Control Systems**

Transmitters

Sensors

Accessories



TOC-30-AN2

Refer to TOC-30 Room Status Indicator Data Sheet

To compliment the PGF-30 TOC Series Gas Detectors provide accurate measurement of the background atmosphere to measure for a specific hazardous target gas. Clean lines and easy integration into existing or newly planned control systems make the TOC Series the safety engineers device of choice. Using the latest microprocessor addressable technology and software TOC Series detectors are a reliable long term monitoring solution.

TOC Series Detectors are supplied pre-calibrated ready to use and directly connect to PGF-30.



TOC-30A-PHC  
With Gas Collector Fitted

## Order Codes TOC-30A Series Detectors

Gas	Standard Range	Order Code	Typical Cell Life
Flammable Gases external sensor	0-100% LEL	TOC-31A-PHC	>3 Years
Flammable Gases internal sensor	0-100% LEL	TOC-30A-PHC	>3 Years
Carbon Monoxide	0-100ppm	TOC-30A-CO	>5 Years
Oxygen	0-30% Vol	TOC-30A-O2	5 Years+
Nitric Oxide	0-200ppm	TOC-30A-NO	>2 Years
Nitrogen Dioxide	0-20ppm	TOC-30A-NO2	>2 Years
Ammonia	0-100ppm	TOC-30A-NH3	>2 Years
Chlorine	0-20ppm	TOC-30A-CL2	>2 Years
Carbon Dioxide	0-5000ppm	TOC-30A-LCO2	>3 Years



TOC-30A-NDE  
Allows you to control third party devices with multiple I/O



TOC-30A-CO

\*\*IGD can help detect over 400 Hazardous and flammable gases and vapours, please call or email if you have other gas detection requirements\*\*

## Order Codes Accessories

Gas Collector Cone For TOC-30A-PHC Code 50006701  
 Calibration Adaptor TOC-31-PHC Code 401101E  
 Calibration Adaptor TOC20/30 Series Code 5925701



International Gas Detectors  
 CH<sub>4</sub> H<sub>2</sub>S CO<sub>2</sub>  
 NH<sub>3</sub> SO<sub>2</sub> NO<sub>2</sub> CO



Triton House  
 Crosby Street  
 Stockport  
 SK2 6SH  
 England

Tel: +44 (0)161 483 1415  
 Fax: +44 (0) 161 484 2345  
 Email: sales@internationalgasdetectors.com  
 Website: www.internationalgasdetectors.com



FS646773  
 Ref: PGF30 C